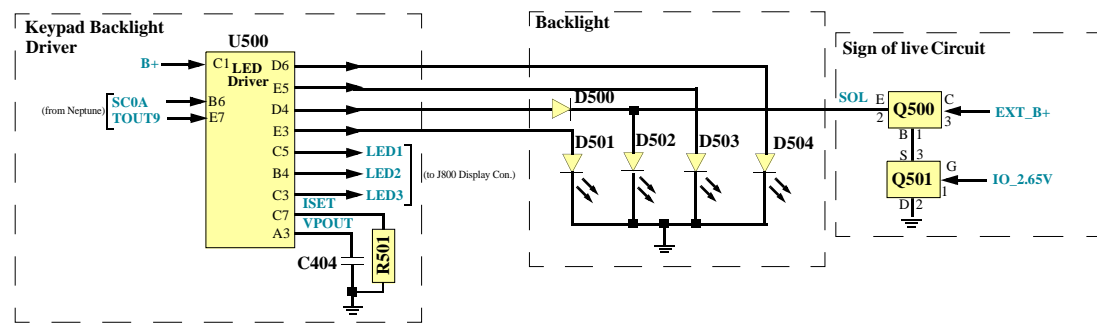
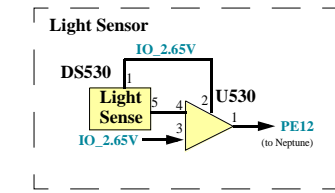
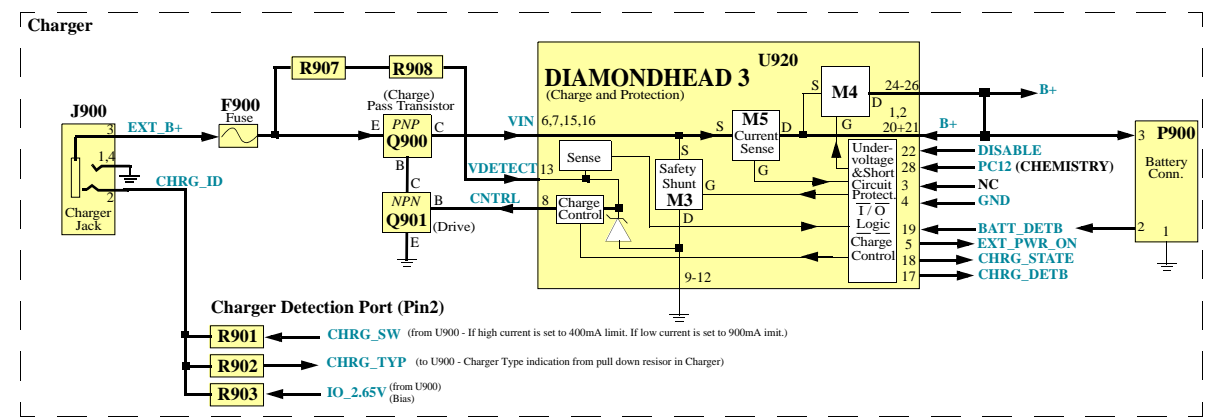
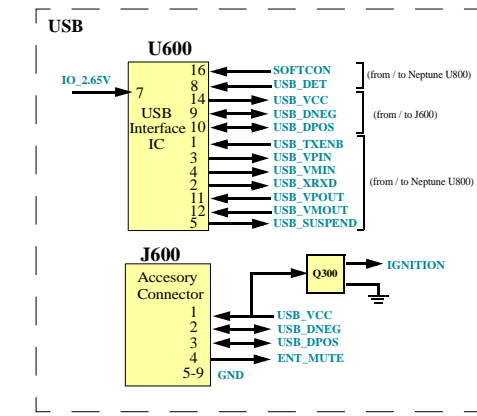
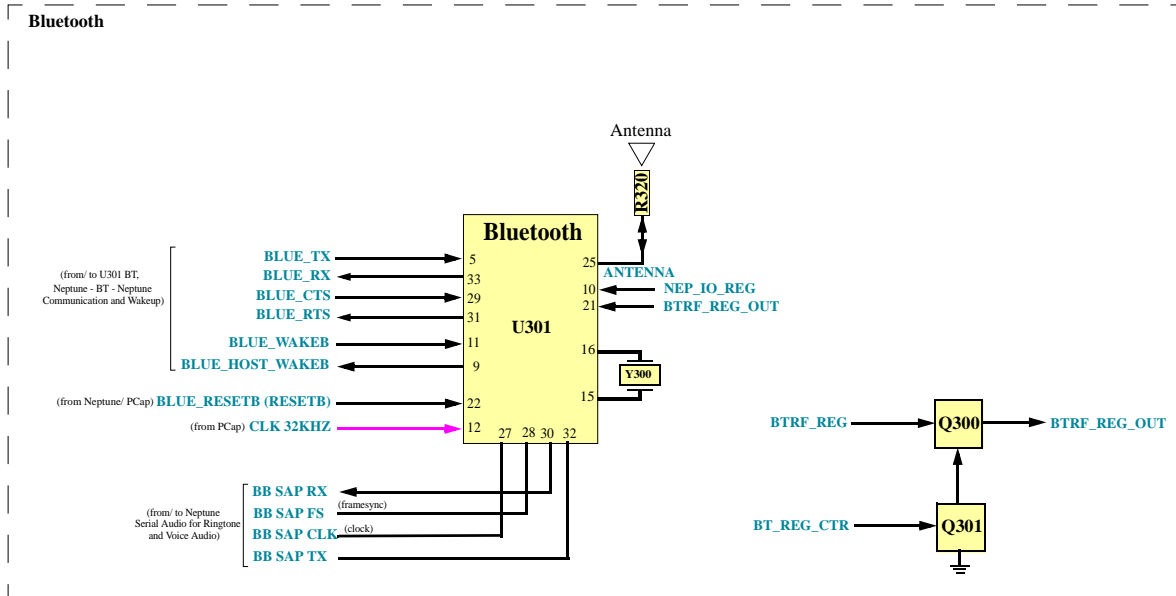


# C390

Service Engineering & Optimization	2005.04.14
LEVEL 3 Block Diagram	Rev. 1.0
Quad Band C390	
Alexander Buehler, Michael Mauderer	Page 1 of 2

Revision Overview	
Rev. 1.0:	initial Block Diagram





**C390**

Service Engineering & Optimization	2005.04.14
<b>LEVEL 3 Block Diagram</b>	Rev. 1.0
Quad Band C390	
Alexander Buehler, Michael Mauderer	Page 2of 2

Revision Overview	
Rev. 1.0:	initial Block Diagram